

Features

- Lower noise: no water hammer impact and quake
- Working is smooth, and high capacity
- High reliable, long useful life
- Coil: fully cladding by thermosetting plastic; IP65 protection system.



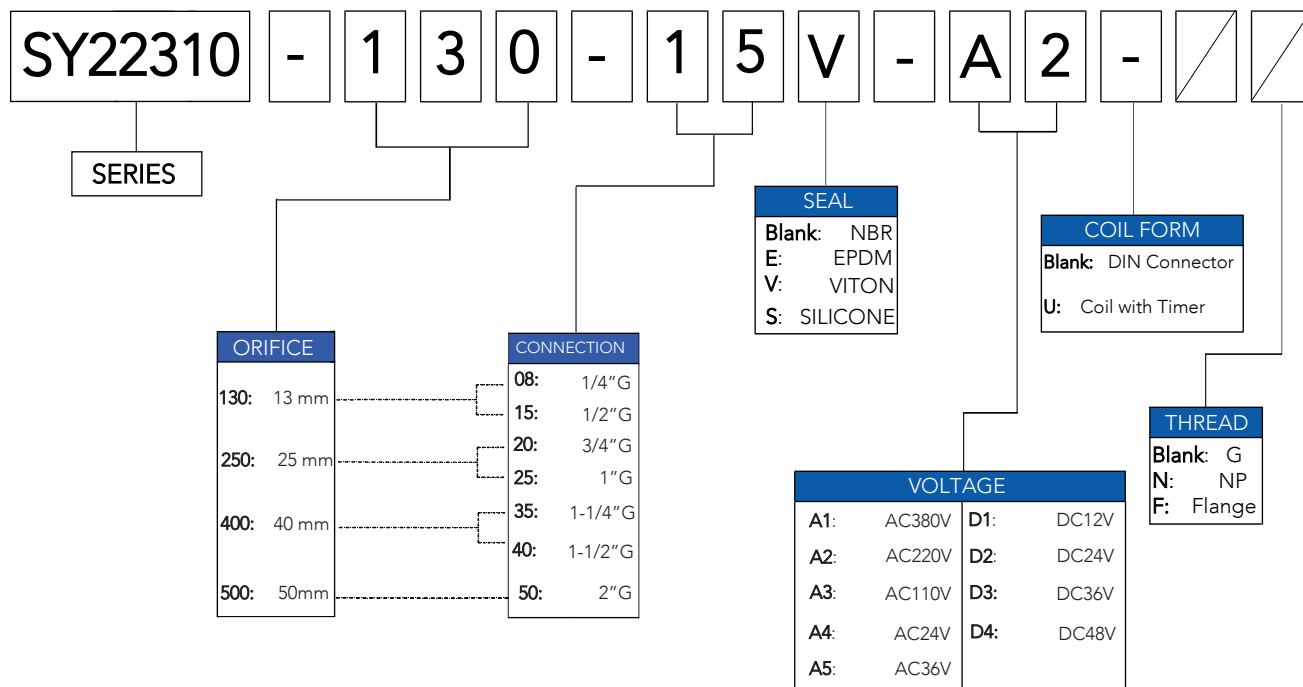
*Note:

SY223 series size 1/4"- 1" as Direct Acting, 1-1/4" -2" size as Pilot Operated

Electrical

| Standard Coil | Watt Rating and Power Consumption | | | | Spare Coil Part Number | | | |
|---------------|-----------------------------------|------|--------------|-------------|------------------------|---------|----------------|---------|
| | DC Watt | AC | | | General Purpose | | Explosionproof | |
| | | Watt | VA Holdin | VA Inrus | AC | DC | AC | DC |
| F | 13 | 22 | 22 | 40 | 0545-AC | 0545-DC | 1680-AC | 1680-DC |
| F | 13 | 22 | 25 | 70 | 0543-AC | 0543-DC | 1661-AC | 1661-DC |
| F | | | | - | - | - | 1381-AC | 1381-DC |

Ordering Code

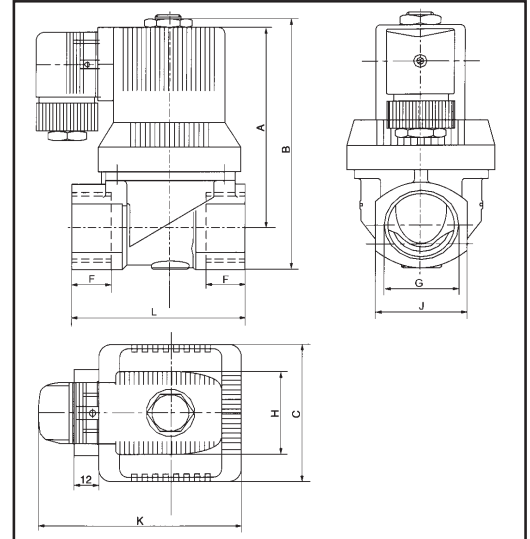


Order Example:

SY223 series pilot operated 2/2 ways solenoid valve, 1/2" port size, SILICONE diaphragm seals, AC220V, DIN connector, BSPP (G) thread.
SENYA part# SY22310-130-15S-A2

Dimensions Sheet (mm)

| Model | G | C | F | L | J | A | B | H | K |
|------------|--------|-----|----|-----|----|-----|-----|----|-----|
| SY22310-08 | 1/4" | 45 | 16 | 52 | 27 | 82 | 96 | 40 | 80 |
| SY22310-15 | 1/2" | 45 | 16 | 52 | 27 | 82 | 96 | 40 | 80 |
| SY22310-20 | 3/4" | 45 | 16 | 63 | 31 | 82 | 96 | 40 | 80 |
| SY22310-25 | 1" | 65 | 18 | 82 | 41 | 96 | 117 | 40 | 90 |
| SY22310-35 | 1 1/4" | 96 | 20 | 132 | 58 | 112 | 145 | 40 | 132 |
| SY22310-40 | 1 1/2" | 96 | 20 | 132 | 58 | 112 | 145 | 40 | 132 |
| SY22310-50 | 2" | 111 | 22 | 160 | 70 | 125 | 166 | 40 | 160 |


Specifications (Metric units)

| Pipe Size (in) | Orifice Size (mm) | CV Flow Factor | Operating Pressure Differential (Bar) | | | | | | Max. Fluid Temp. °C | | Brass | Stainless Steel 304 | Watt Rating/Class of Coil Insulation | | | |
|---|-------------------|----------------|---------------------------------------|---------------|-------|-----------------------|---------------|-------|---------------------|-----|-------|---------------------|--------------------------------------|----------------|--------|----|
| | | | Max. AC | | | Max. DC | | | AC | DC | | | Catalog Number | Catalog Number | AC | DC |
| | | | Min. | Air-Inert Gas | Water | Light Oil less 50 CST | Air-Inert Gas | Water | | | | | | | | |
| NORMALLY CLOSED (Closed when de-energized) | | | | | | | | | | | | | | | | |
| 1/8 | 13 | 3.3 | 0.03 | 10 | 10 | 7 | 6 | 6 | 4 | 80 | 80 | SY22310-130-08-A2 | - | 6.1/F | 11.6/F | |
| 1/8 | 13 | 3.3 | 0.03 | 10 | 10 | - | 6 | 6 | - | 130 | 130 | SY22310-130-08E-A2 | - | 10.1/F | 11.6/F | |
| 1/8 | 13 | 3.3 | 0.03 | 10 | 10 | 7 | 6 | 6 | 4 | 120 | 120 | SY22310-130-08V-A2 | - | 6.1/F | 11.6/F | |
| 1/2 | 13 | 4.2 | 0.03 | 10 | 10 | 7 | 6 | 6 | 4 | 80 | 80 | SY22310-130-15-A2 | - | 17.1/F | - | |
| 1/2 | 13 | 4.2 | 0.03 | 10 | 10 | - | 6 | 6 | - | 130 | 130 | SY22310-130-15E-A2 | - | 6.1/F | 11.6/F | |
| 1/2 | 13 | 4.2 | 0.03 | 10 | 10 | 7 | 6 | 6 | 4 | 120 | 120 | SY22310-130-15V-A2 | - | 10.1/F | 11.6/F | |
| 3/4 | 20 | 9.69 | 0.03 | 10 | 10 | 7 | 6 | 6 | 4 | 80 | 80 | SY22310-250-20-A2 | - | 17.1/F | 11.6/F | |
| 3/4 | 20 | 9.69 | 0.03 | 10 | 10 | - | 6 | 6 | - | 130 | 130 | SY22310-250-20E-A2 | - | 6.1/F | 11.6/F | |
| 3/4 | 20 | 9.69 | 0.03 | 10 | 10 | 7 | 6 | 6 | 4 | 120 | 120 | SY22310-250-20V-A2 | - | 17.1/F | - | |
| 1 | 25 | 12.84 | 0.03 | 10 | 16 | 7 | 6 | 6 | 4 | 80 | 80 | SY22310-250-25-A2 | - | 17.1/F | 40.6H | |
| 1 | 25 | 12.84 | 0.03 | 10 | 10 | - | 6 | 6 | - | 130 | 130 | SY22310-250-25E-A2 | - | 17.1/F | 11.6/F | |
| 1 | 25 | 12.84 | 0.03 | 10 | 10 | 7 | 6 | 6 | 4 | 120 | 120 | SY22310-250-25V-A2 | - | 6.1/F | 11.6/F | |
| 1 1/4 | 40 | 29.18 | 0.07 | 16 | 16 | 13 | 16 | 16 | 13 | 80 | 80 | SY22310-400-35-A2 | - | 10.1/F | 11.6/F | |
| 1 1/4 | 40 | 29.18 | 0.07 | 16 | 16 | - | 16 | 16 | - | 130 | 130 | SY22310-400-35E-A2 | - | 6.1/F | 11.6/F | |
| 1 1/4 | 40 | 29.18 | 0.07 | 16 | 16 | 13 | 16 | 16 | 13 | 120 | 120 | SY22310-400-35V-A2 | - | 16.1F | 30.8/F | |
| 1 1/2 | 40 | 35.01 | 0.07 | 16 | 16 | 13 | 16 | 16 | 13 | 80 | 80 | SY22310-400-40-A2 | - | 16.1/F | 30.8/F | |
| 1 1/2 | 40 | 35.01 | 0.07 | 16 | 16 | - | 16 | 16 | - | 130 | 130 | SY22310-400-40E-A2 | - | 6.1/F | 11.6/F | |
| 1 1/2 | 40 | 35.01 | 0.07 | 16 | 16 | 13 | 16 | 16 | 13 | 120 | 120 | SY22310-400-40V-A2 | - | 20.1/F | - | |
| 2 | 50 | 52.52 | 0.07 | 16 | 16 | 13 | 16 | 16 | 13 | 80 | 80 | SY22310-500-50-A2 | - | 17.1/F | - | |
| 2 | 50 | 52.52 | 0.07 | 16 | 16 | - | 16 | 16 | - | 130 | 130 | SY22310-500-50E-A2 | - | 16.1/F | 30.8/F | |
| 2 | 50 | 52.52 | 0.07 | 16 | 16 | 13 | 16 | 16 | 13 | 120 | 120 | SY22310-500-50V-A2 | - | 6.1/F | 11.6/F | |

***Note:**

Standard Voltages must be specified when ordering. Other voltages please consult SENYA staff for more details